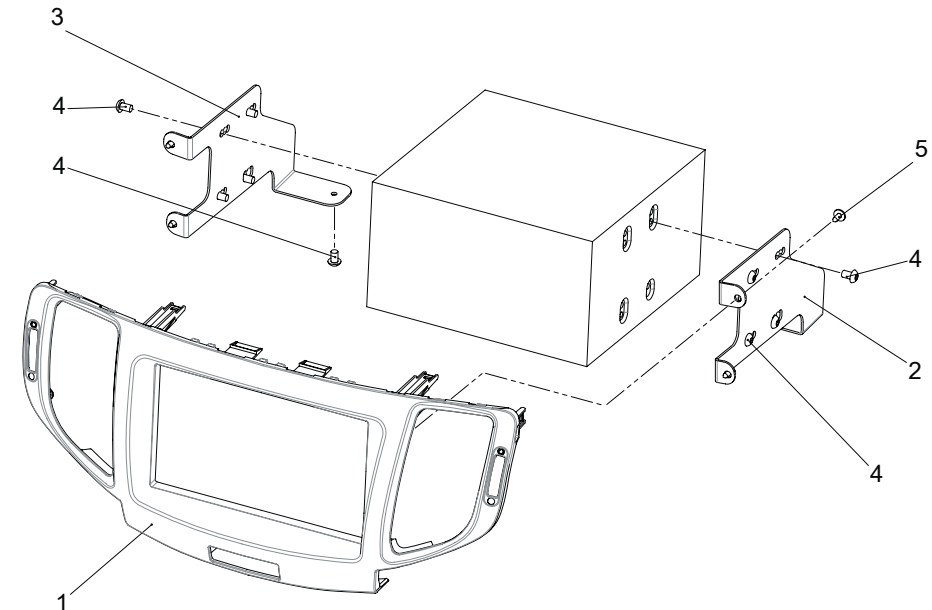




• Honda Accord 2011->

Compatible with these devices

Double DIN Navigation



Double DIN Kit contents

- (1) Facia Plate
- (2) Mounting Bracket right

- (3) Mounting Bracket left
- (4) Flat headed screw
- (5) Self-Tapping screw with collar

Installation Manual Double DIN Kit



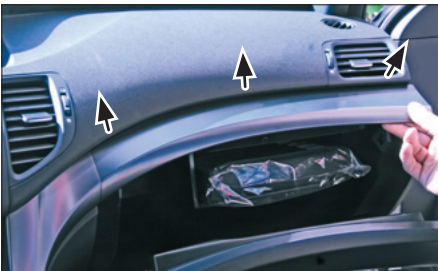
1. Unclip panel under gear lever



2. Turn panel aside and remove plugs carefully (see arrow)



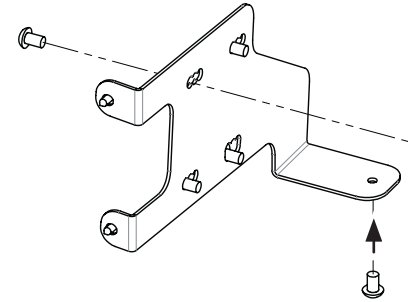
3. Remove screws around gear lever in order to remove panel



4. Unclip side panels

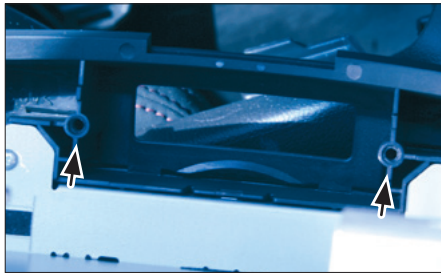


20. Connect all required circuit points
Push Double DIN navigation to dash board

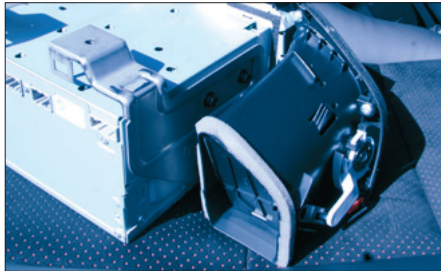


21. Fix Double DIN navigation to vehicle dashboard from underneath (see arrow)

Installation Manual Double DIN Kit



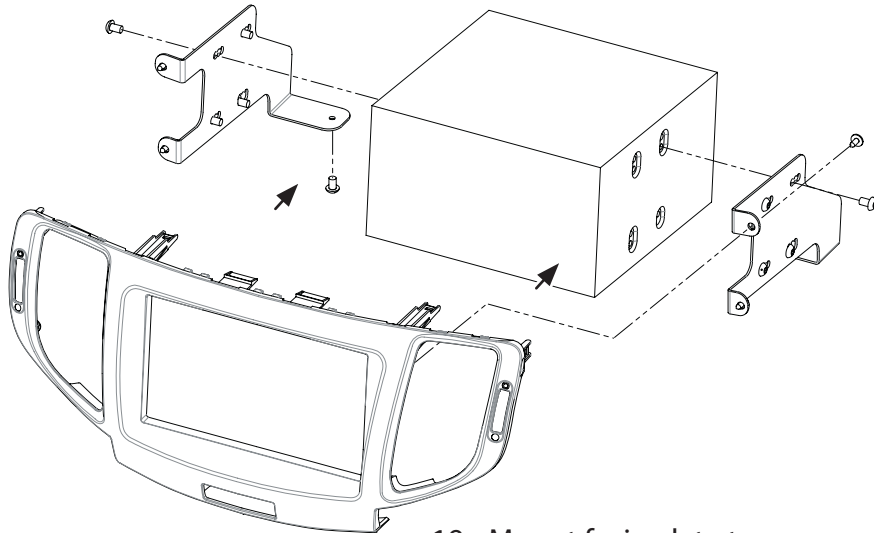
16. uninstall hazard light switch



17. uninstall OEM air vents

Mount air vents and hazard light switch to facia plate

18. Mount mounting frames to Double DIN head unit



19. Mount facia plate to Double-DIN Navigation



5. Remove screws of inner side panels



6. Remove screws of inner side panels beside gear lever

Remove side panels

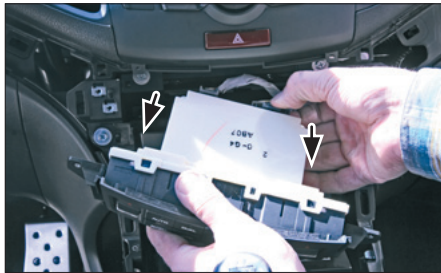


7. Remove screws of air condition control unit



All installation work must be performed by a qualified professional installer only.
The manufacturer / dealer is not liable for any kind of incidental or indirect damages.

Installation Manual Double DIN Kit



8. Remove air condition control unit (unplug cables carefully)



9. Remove ashtray box



10. Remove screw underneath cigarette lighter
Remove complete cigarette lighter unit



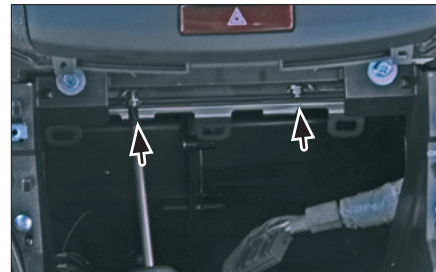
11. Unplug cables carefully



12. Remove 2 screws (see arrows)



13. Remove screws (see arrows)



14. Remove screws below OEM head unit (see arrows)



15. Remove OEM head unit by pulling it towards your direction